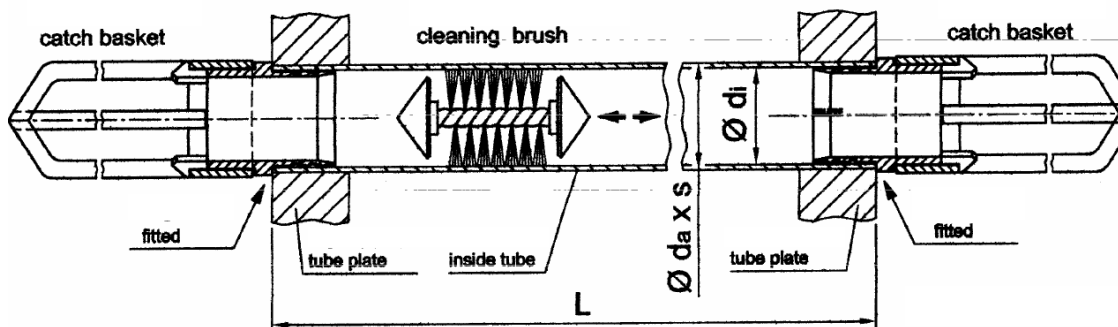


Technical info:

Brushes and catch baskets

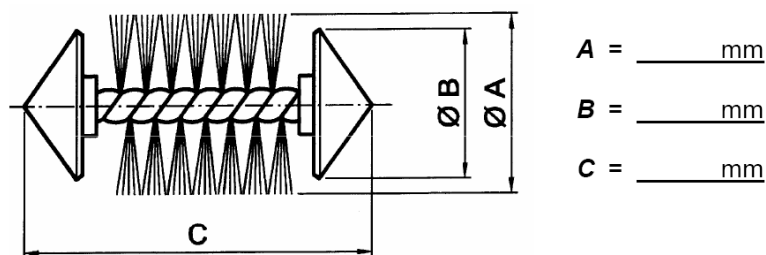
Function Tube heat exchanger:
 Type:
 Fabr. No.:



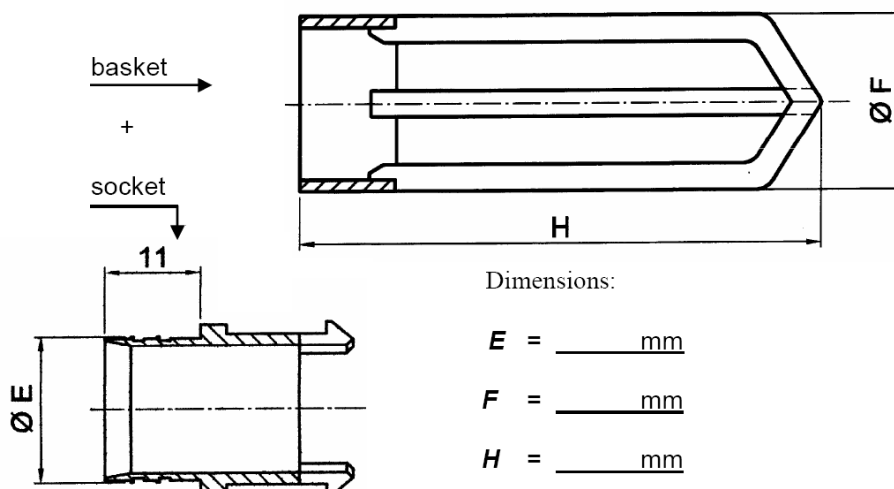
Dimensions: $L =$ _____ mm $d_a \times s =$ _____ mm $d_i =$ _____ mm

Cleaning brush

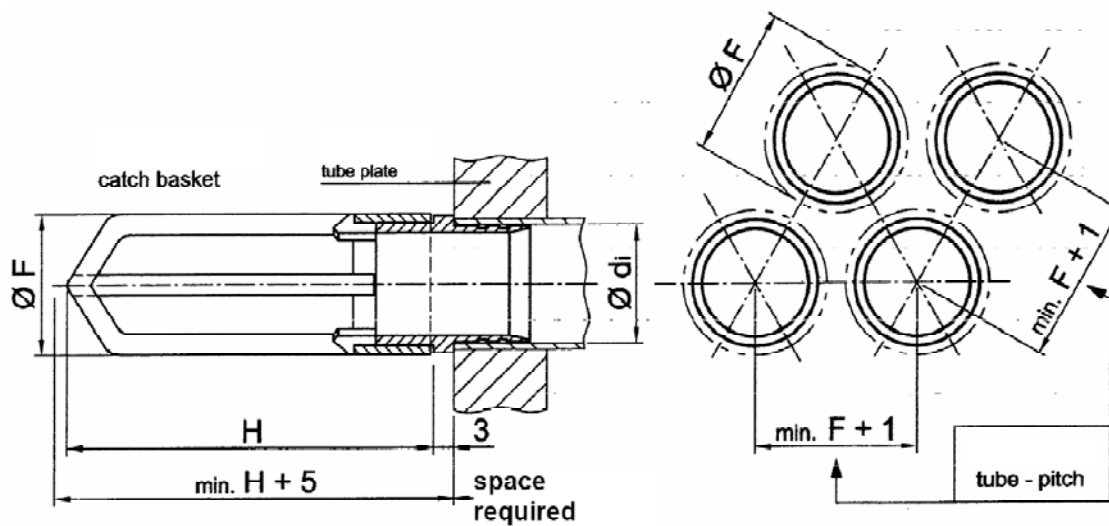
Dimensions:



Catch basket



Catch baskets: **Dimensions**



Dimensions:

inside tube d_i mm	catch basket		
	F mm	H mm	$(H + 5)$ mm
$\geq 10,0 \dots 14,5$	18,0	65	70
$> 14,5 \dots 16,7$	20,0	65	70
$> 16,7 \dots 19,1$	22,0	70	75
$> 19,1 \dots 22,2$	25,5	70	75
$> 22,2 \dots 24,0$	28,0	75	80

Remark:

Dimensions for special types and oval-tubes by inquiry.