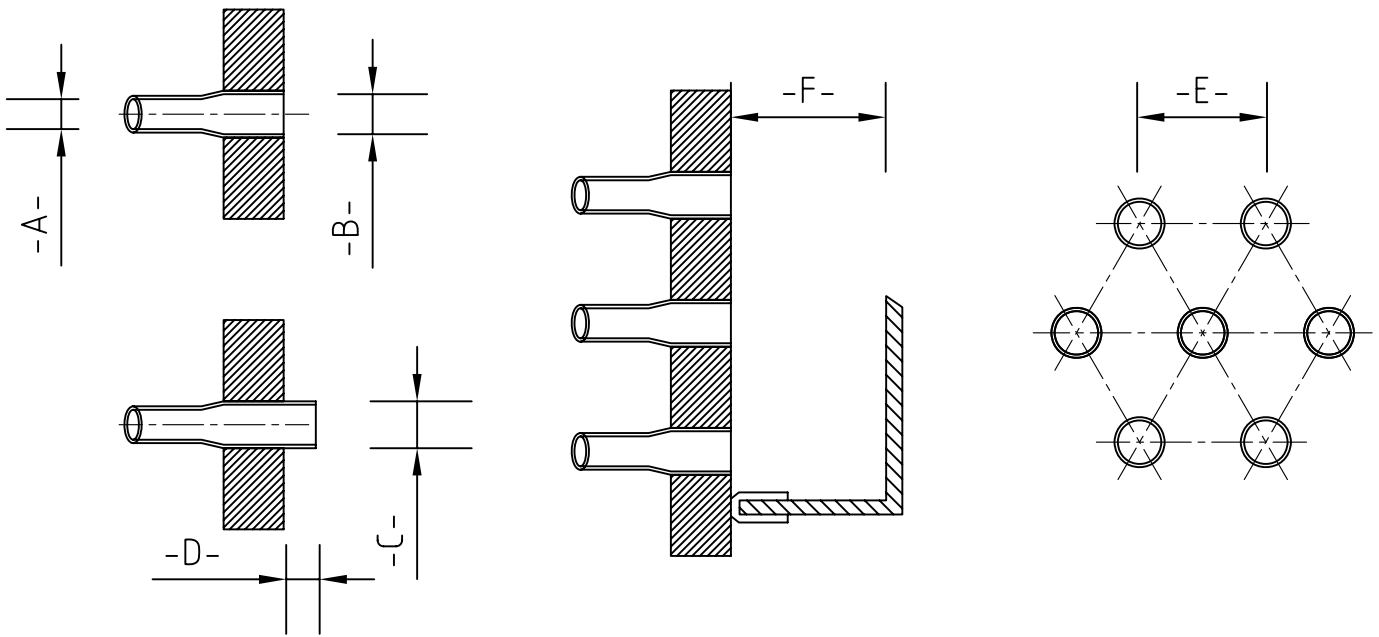


**ON LINE BRUSH  
CLEANING SYSTEM FOR  
SHELL & TUBE  
HEAT EXCHANGERS  
DATA-SHEET**

01	Type of Equipment:	Chiller:	
		Condenser:	
		Proces Heatexchanger:	
02	Flow:	m3/h:	
03	Pipe Connections IN / OUT:	mm:	
04	Type of Pipe Connection:	Flanged:	Standard:
		Victaulic:	Standard:
05	Number of Passes:		
06	Number of pipes (total):		
07	Inside Pipe Diameter > size -A-:	mm:	
08	Inside Pipe Diameter at Pipe End > size -B-:	mm:	
09	Outcomming Pipe > size -C- (if applicable):		
10	Outcomming Pipe End > size -D- (if applicable):	mm:	
10	Pipe Pitch > size -E-:	mm:	
11	Min. distance to Cover Head > size -F-:	mm:	
12	Lenght of Pipes:	mm:	
13	Power Supply Info:	V:            Hz:	
14	Neutral:	yes / no	
15	Type of Cooling Tower:	Cross-Flow:	Brand:
		Counter-Flow:	Brand:
16	Water:	Sea Water:	
		Brakish Water:	
		Industrial Water:	
		Treatment:	
17	Comments:		



PROJECT / MODEL

CLIENT:

TITLE

**PROJECT  
DATA  
SHEET**

DATE:

AUTHOR: